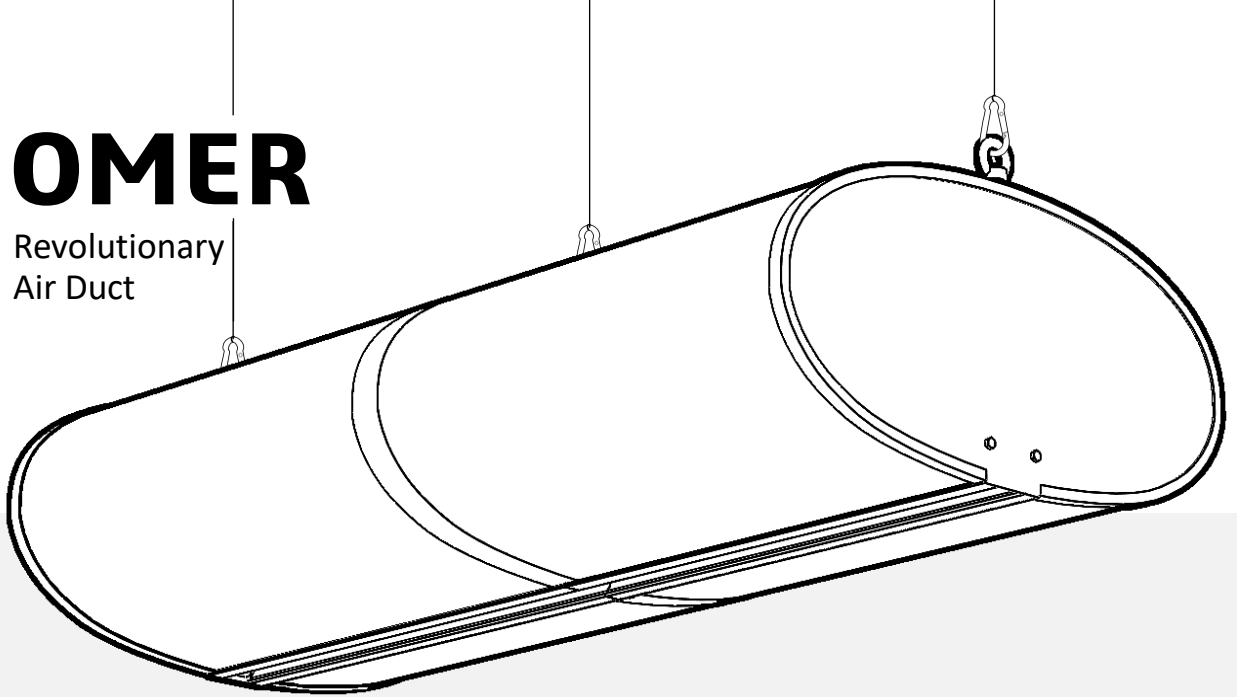
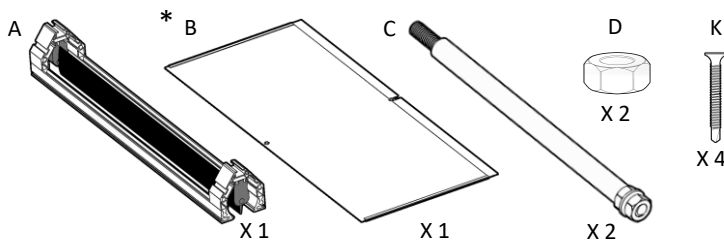


OMER

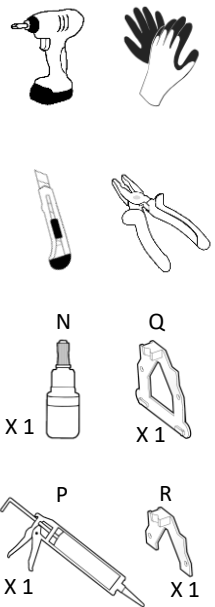
Revolutionary
Air Duct



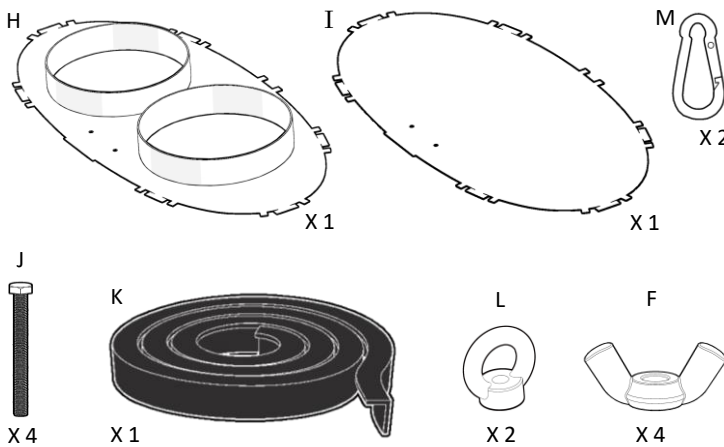
OMER UNIT



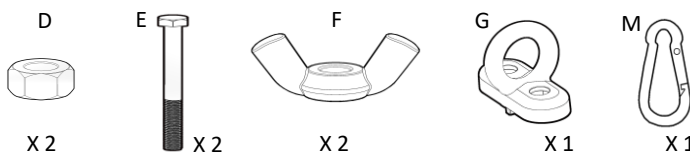
TOOLS



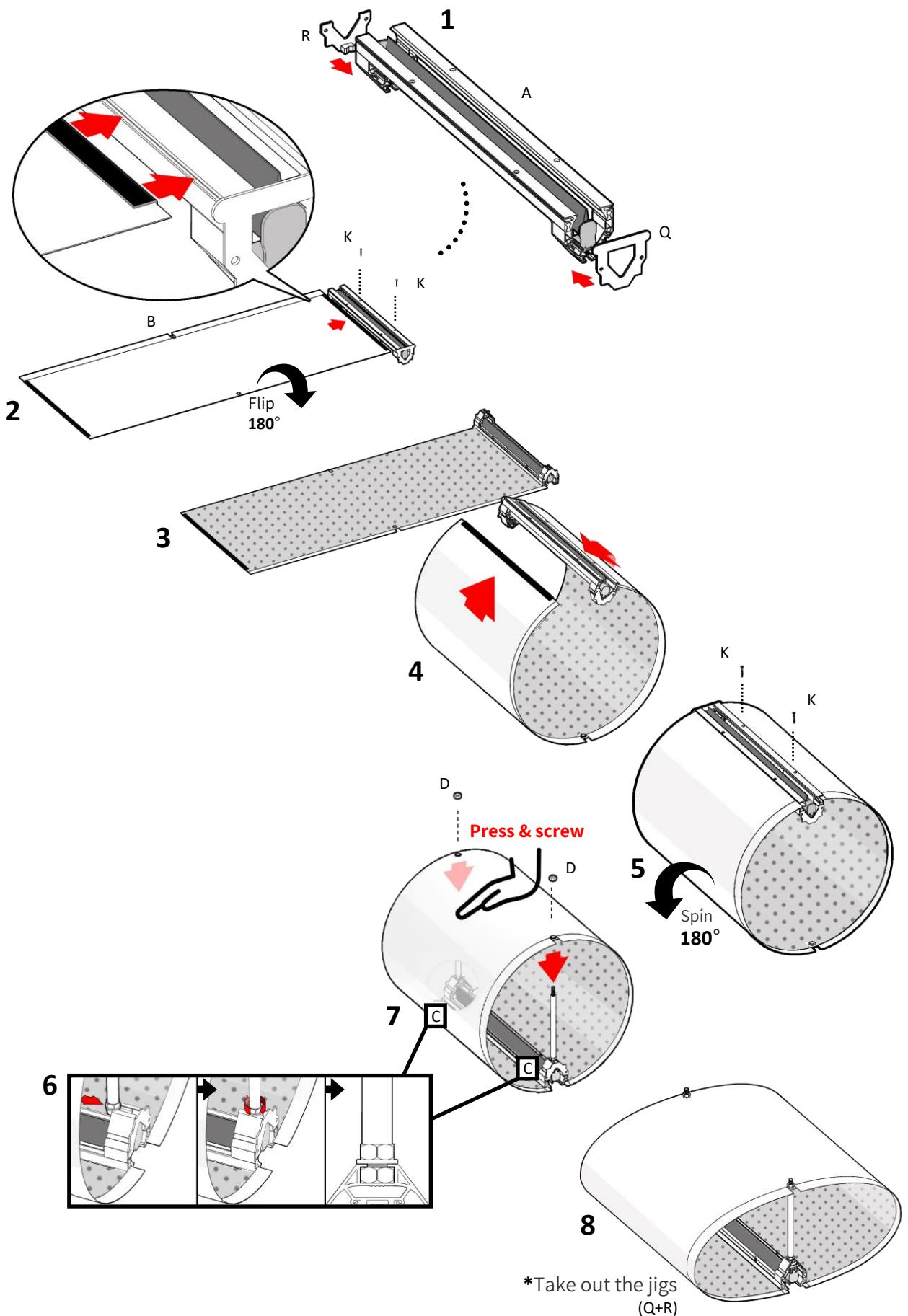
END FITTINGS



CONNECTORS

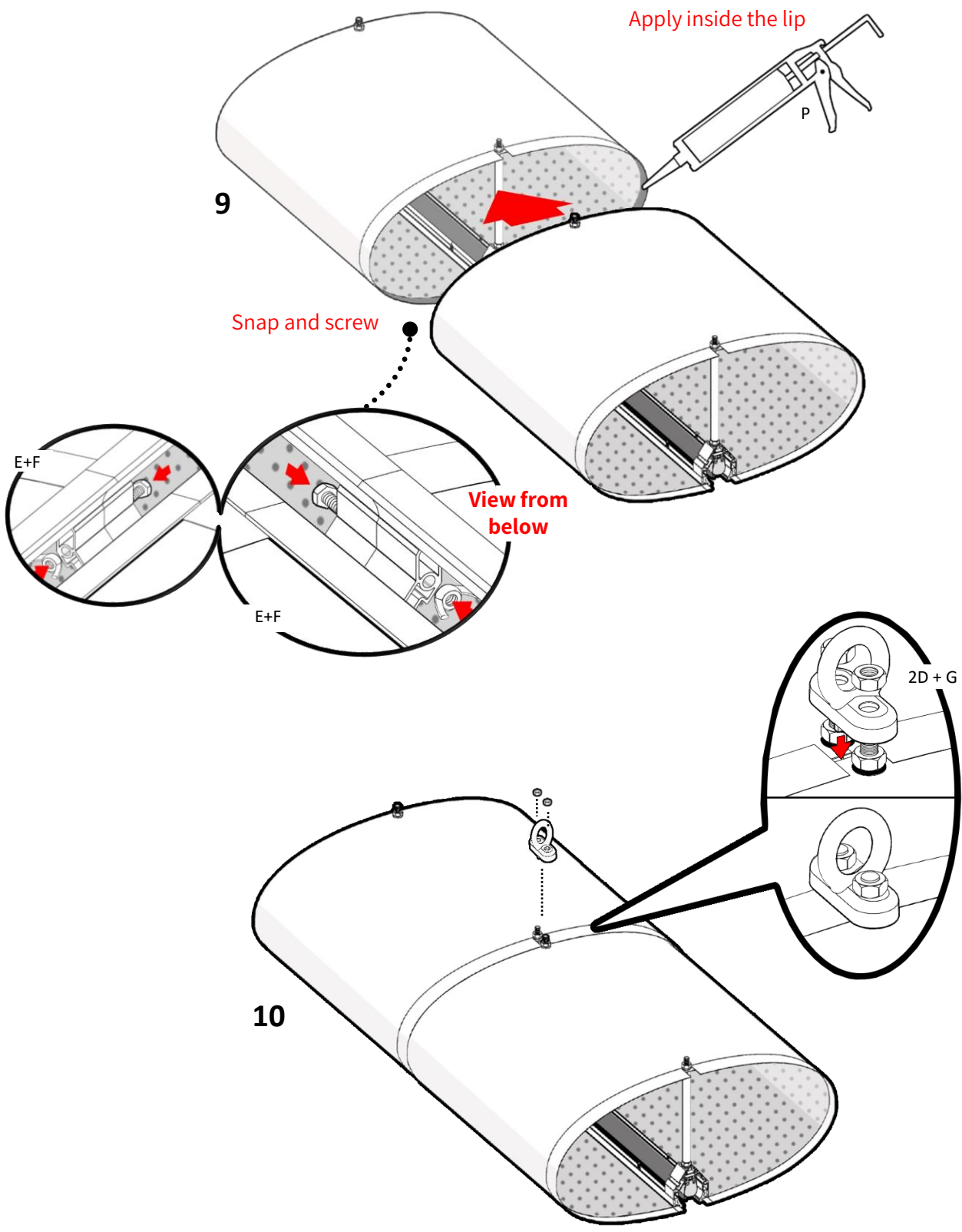


* Each kit is provided with one sheet of tin with no lip used for the final unit



Repeat steps 1-8 To create more units

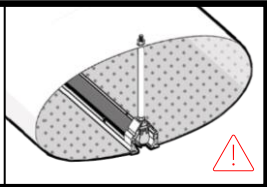
pay attention! The last unit is whitout lip




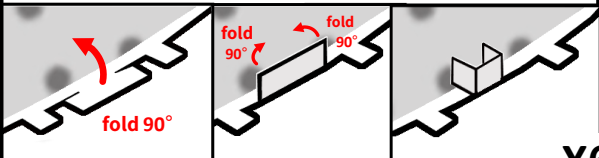
Repeat steps **9 + 10**
based on how many
units you have



pay attention! In case of
more than one unit, The
unit without the lip - must
be connected at the end.
(So the result is a Air-Duct
without a lip)

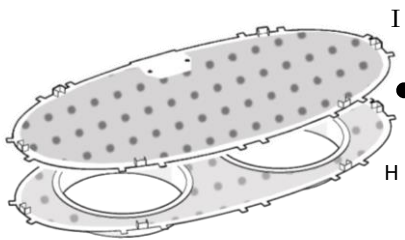
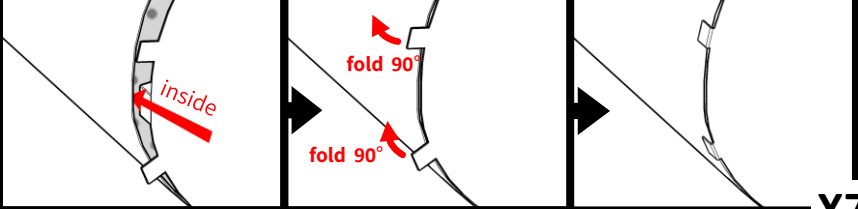


pay attention!
 At this stage, fold only the wide parts between the 2 narrower ones.
 Folding will be done inward only

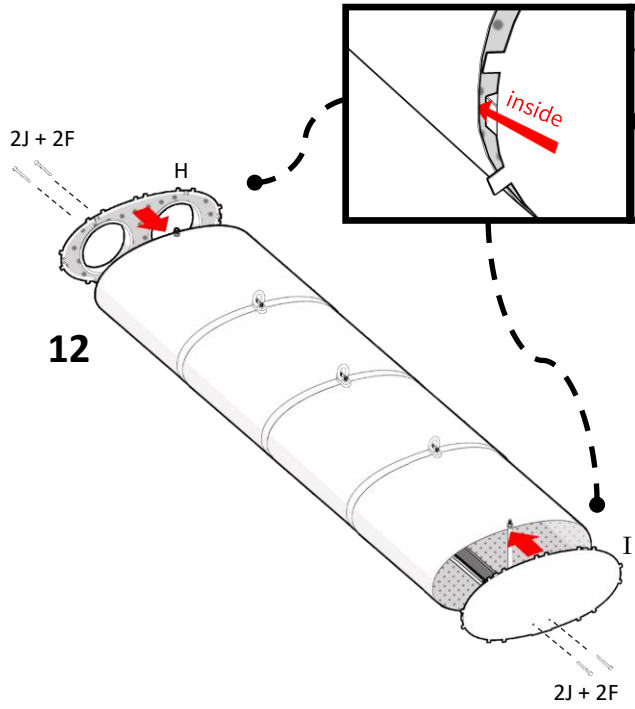
X6

11

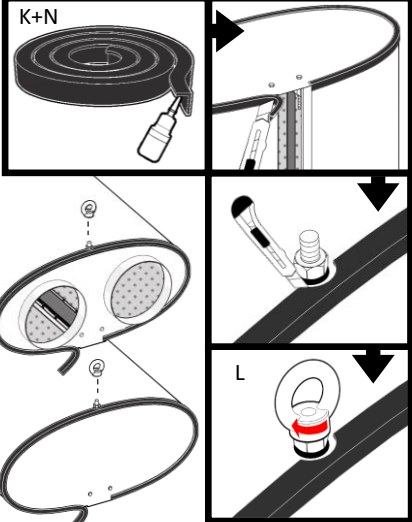



X7

12



Apply inside in the narrow part

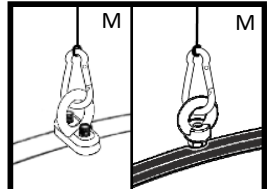
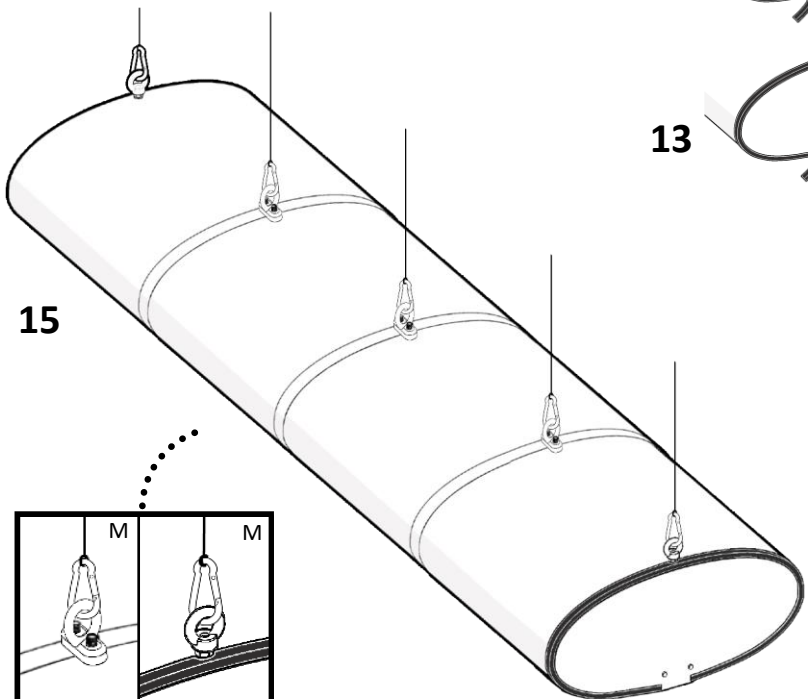


K+N

L

Wrap around lid and cut

15



14

